

Lime St. Park

TOP VIEW

ADA ACCESSIBILITY GUIDELINE - ADAAG CONFORMANCE

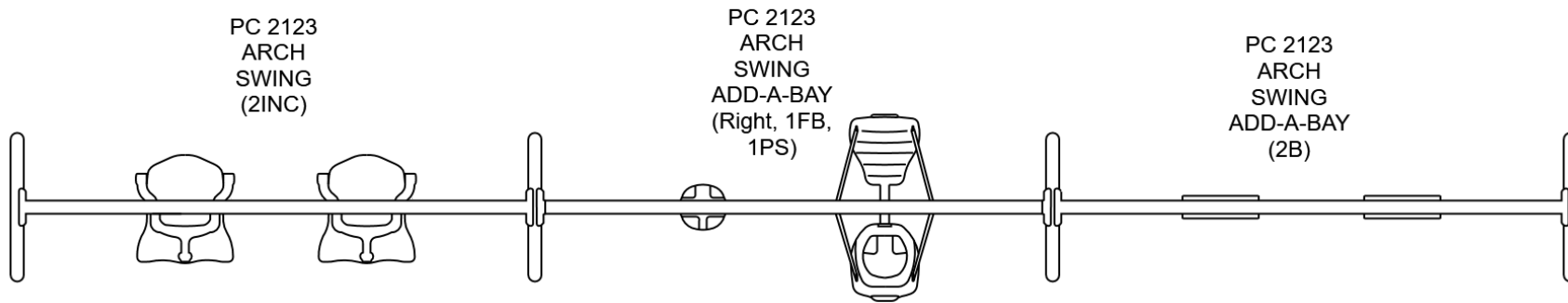
ELEVATED	ACCESSIBLE	RAMP ACCESSIBLE	GROUND	TYPES
0	0/0	0	6/0	1/0

FOR KIDS
AGES
2-12

GENERAL NOTES:

This conceptual plan is based on information provided prior to construction. Detailed site information, including the following, should be obtained, evaluated, and utilized in the final project design. Exact site dimensions, topography, existing utilities, soil conditions and drainage solutions.

WARNING: Accessible safety surfacing material is required beneath and around this equipment that has a critical height value (Fall Height) appropriate for the highest accessible part of this equipment. Refer to the CPSC'S Handbook For Public Playground Safety, Section 4: Surfacing.



PC 2123
ARCH
SWING
(2INC)

PC 2123
ARCH
SWING
ADD-A-BAY
(Right, 1FB,
1PS)

PC 2123
ARCH
SWING
ADD-A-BAY
(2B)

STRUCTURE#: 1
PROJECT#: GSR220526
DATE: 5/27/2022

MIN. USE ZONE: 47' x 31'

PLAYCRAFT REP:
Great Southern Recreation

Lime St. Park

SITE PLAN

ADA ACCESSIBILITY GUIDELINE - ADAAG CONFORMANCE

ELEVATED	ACCESSIBLE	RAMP ACCESSIBLE	GROUND	TYPES
0	0/0	0	6/0	1/0

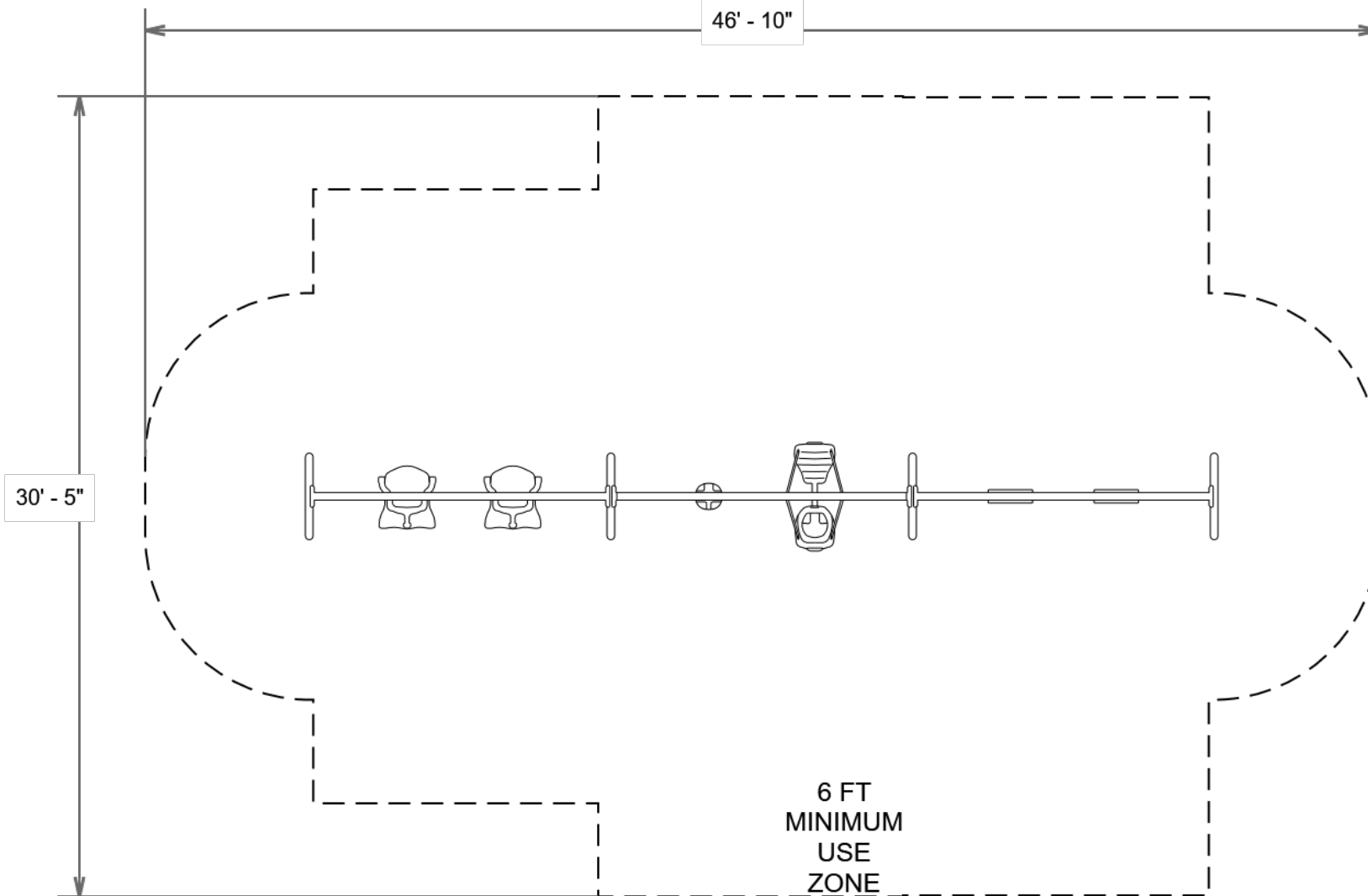
FOR KIDS
AGES
2-12

GENERAL NOTES:

This Preliminary Site Plan is based on measurements that were provided in the initial planning phase. All dimensions must be verified prior to the submission of a purchase order. Playcraft Systems will not be held responsible for any discrepancies between actual dimensions and dimensions submitted in the planning phase.

The Minimum Use Zone for a play structure is based on the product design at the time of proposal. Components and structure designs may be subject to change which may affect dimensions. Therefore, before preparing the site, we strongly recommend obtaining final drawings from the factory (available after the order is placed and included in the Assembly Manual).

WARNING: Accessible safety surfacing material is required beneath and around this equipment that has a critical height value (Fall Height) appropriate for the highest accessible part of this equipment. Refer to the CPSC'S Handbook For Public Playground Safety, Section 4: Surfacing.



PROJECT#: GSR220526

DATE: 5/27/2022

MIN. USE ZONE: 47' x 31'

PLAYCRAFT REP:

Great Southern Recreation

Lime St. Park
3D VIEW

FOR KIDS
AGES
2-12



STRUCTURE#: 1
PROJECT#: GSR220526
DATE: 5/27/2022



Bill of Materials

Lime St. Park

Project# GSR220526

5/27/2022

Item	Description	Quantity
1		
A2-2123-2B-AB	PC 2123 Arch Swing (Right, 2B)	1
A2-2123-ADAX2	PC 2123 Arch Swing (2INC)	1
A2-2123-PS-FB-AB	PC 2123 Arch Swing (Right, 1FB, 1PS)	1